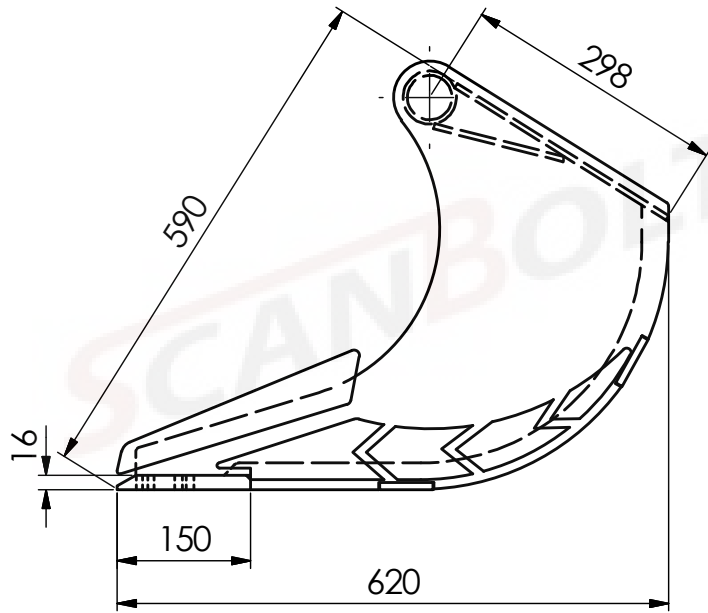
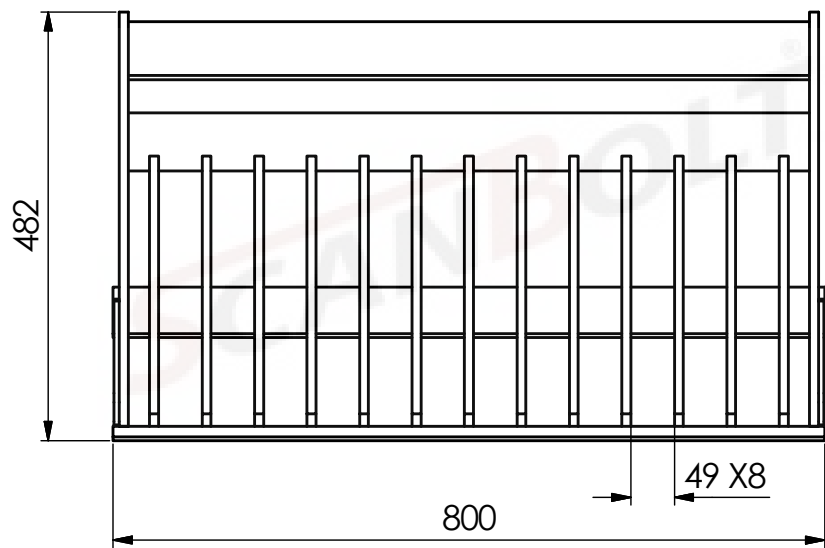
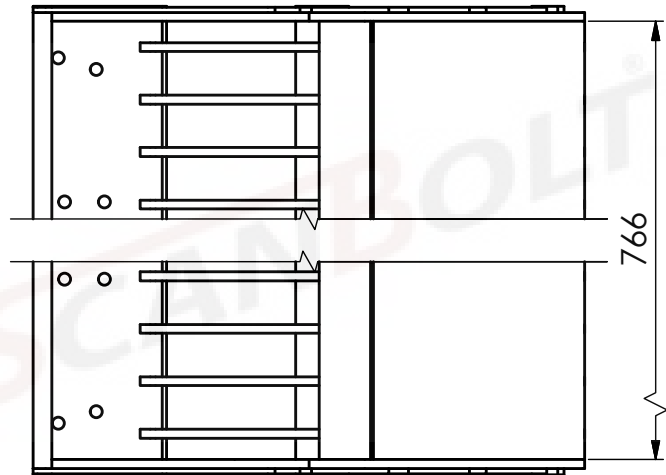
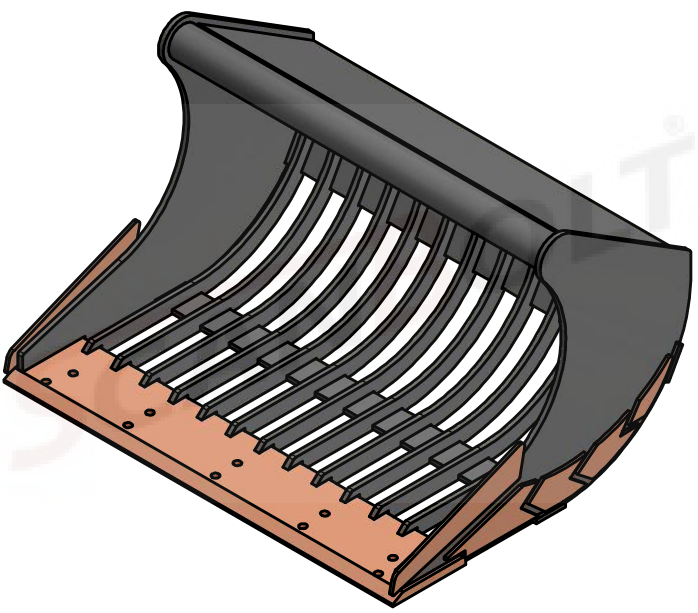


8 7 6 5 4 3 2 1



MATERIAL SPECIFICATION	
ST52.3	ST52.3
EN8D	EN8D
HB 400	HB 400
HB 450	HB 450
CASTALLOY STEEL	CASTALLOY STEEL

SCANBOLT®	
DESCRIPTION	80CM RIDDLE BUCKET
MACHINE CLASS	2.5 - 3.4 TON
WEIGHT	85.5 Kg
HEAPED CAPACITY	152.3 LITERS

8 7 6 5 4 3 2 1